



INDOX ENERGY SYSTEMS

Offer	2303002204 – Mounted Fuel tank 19,5 m ³
Client	SC EUROSPEED SRL
Address	Str. Humorului, Scheia
VAT Number	
Attention to	Mr. IONUT PAVAL
Phone number	+40 747561011



1. General:

Type	Mounted fuel tank
Use	For ADR Class 3 transport
Cross section	Oval Elliptical
Design Code	EN-13094.
Regulation	ADR 2017, Class 3 LGBF code.
Material	Aluminium alloy type 5186NG s/EN 10204 3.1B.
Breakwater	Each 7500 liters according to ADR requirements.
Nominal capacity (+ 4% camera)	19,500 lts
Number of compartments	3
Nominal capacity compartments	6.500 / 6.500 / 6.500 Liters
Tank thickness	According to ADR requirements.
Design temperature	-40 ° C... + 50 ° C.
Maximum operating pressure	0.20 kg/cm ²
Test pressure	0.50 kg/cm ²

2. Documentation, testing and testing:

Documentation	Operating Instructions Manual with Spare Parts List, Technical Data sheet for Registration Certificate of manufacture, Certificate of calibration, Acta of prototype conformity issued by an E.C.A. Certificates of Warranties our manufactured and accessories
Vessel:	X-ray inspection, according to EN-13094
Test and testing samples:	Required according to ADR: Hydraulic test, Volumetric calibration certificate, Primitive verification, Assembled equipment model certificate, Extinguisher certificate, ...
Inspection entity:	Bureau Veritas Spain
Calibration:	Each compartment gross capacity and probe height checked only

Observations:

Note: The calibrations of the tanks will be performed in our calibration laboratory, with own procedures and using tanks calibrated by the Spanish Metrology Center (C.E.M.)

3. Service equipment

3.1. Equipment For loading and unloading:

Integral manhole covers DN500 with ADR Regulations, API RP1004 & UNE-EN 13317.	1 pcs x comp.
Internal Relief Valve complies with UNE-EN 14595.	1 pcs x comp.
Optic overfilling sensor 5 wire complies with 94/9/CE (ATEX) & EN13992:2003.	1 pcs x comp.
Overfilling socket, type 4J Slotted / 10 Pin connector complies EN13922:2003.	1 pcs.
Bottom valve complies with ADR Regulations & UNE-EN 13308.	1 pcs x comp
API loading & unloading valve complies with API RP1004 & UNE-EN 13308, with a sight glass and lever, handle to control the bottom valve. (visual indicator)	1 pcs x comp
Vapour recovery vent valve complies with UNE-EN13082 in manhole.	1 pcs x comp
Vapour recovery adaptor complies with EN 13081 & API RP1004.	1 pcs.

LEFT SIDE CABINET



RIGHT SIDE CABINET





3.2. Accessories:

Aluminium cabinet for loading/Unloading equipment, including a flame proof lamp according to layout photos attached in page 3, with lift-up door.	2 pcs.
4" API Gravity Drop Adaptor with EN13315e	2 pcs.
SYM DN 80 Connection.	2 pcs.
Adaptor SYM DN 80 to MK 80 & SYM DN 80 to Vapour recovery system	1+1 pcs.
Top longitudinal spill box according to EN-13094 with drain tubes.	1 pcs.
Aluminium ladder at rear end (right side)	1 pcs.
Aluminium walkway on the upper part of the tank.	1 pcs.
Hand rail in stainless steel that bends from ground	1 pcs.

3.3. Measuring equipment

BLACKMER HTXD3 Pump by hydraulic transmission. Flow rate: 40-800 l/min	1 pcs.
F.A SENING GMVT805 meter with Multiflow and Temperature sensor	1 pcs.
EPSON electronic printer	1 pcs.
Hydraulic drive drum with 40m hose (1 1/2") and deliver	1 pcs.
Hose end with automatic Nozzle ELAFLEX ZVA.32.	2 pcs.

Note::

MID certification is not included. if needed it has to be quoted separately.

Radio remote control stop motor , PTO stop , pump, low / high flow are not included.

4. Vehicle

Vehicle not included by customers and mounted on a self-frame by INDOX.

Note: Such a truck will be delivered to us for the transport of dangerous goods in compliance with the Regulation ECE 105 Series 6 as set out in point 9.1.2.2. of the chapter of ADR 2017. Only vehicles with regulation ECE 105 Series 5 if the date of issuance of the ITV card, type C is earlier than 01/04/2018. The auto frame must be delivered with approved bumper, the right side cleared and the left side with cyclist protection.



5. Running Gear

5.1. Accessories

Fire extinguishers:	1 pcs x 9 kg, placed at each side of vehicle.
Tools cabinet:	1 pcs material PVC
Earthing reel:	Included
Earthing points to the chassis:	2 pcs Material: brass
Support for UN plate marking:	1 pc. Plate doesn't come into :
Support for dangerous marking:	3 + 3 pcs. In both side and rear end.
Diamond sticker dangerous identification:	Included 3 + 3 pcs.
Hose carrier: ALUMINIUM	2 pcs x side, type Ø160 mm (2x5,5m and 2x3m)
Hose:	4 hoses included (length according to the measurement of each hose carrier).
ADR Spill Kit:	1 pcs
• Short Handle plastic shove.	
▪ ADR 10 LT collecting container (empty).	
▪ Drain cover (40 x 40)	

6. Finishes

Tank, external surface:	Two component acrylic paint, 2 layers.
Tank, internal surface:	Cleaning aluminium
Non-slip paint top of the spill box	Included
Reflecting tape:	According to EC R-104 standard, bot lateral sides, and rear side red colour
Customer logotype:	Not included.

7. Documentation

Quality book:	Quality book in English language (1 Copy)
Manual:	User manual in English language (1 Copy)
Certificates	ADR Certificate

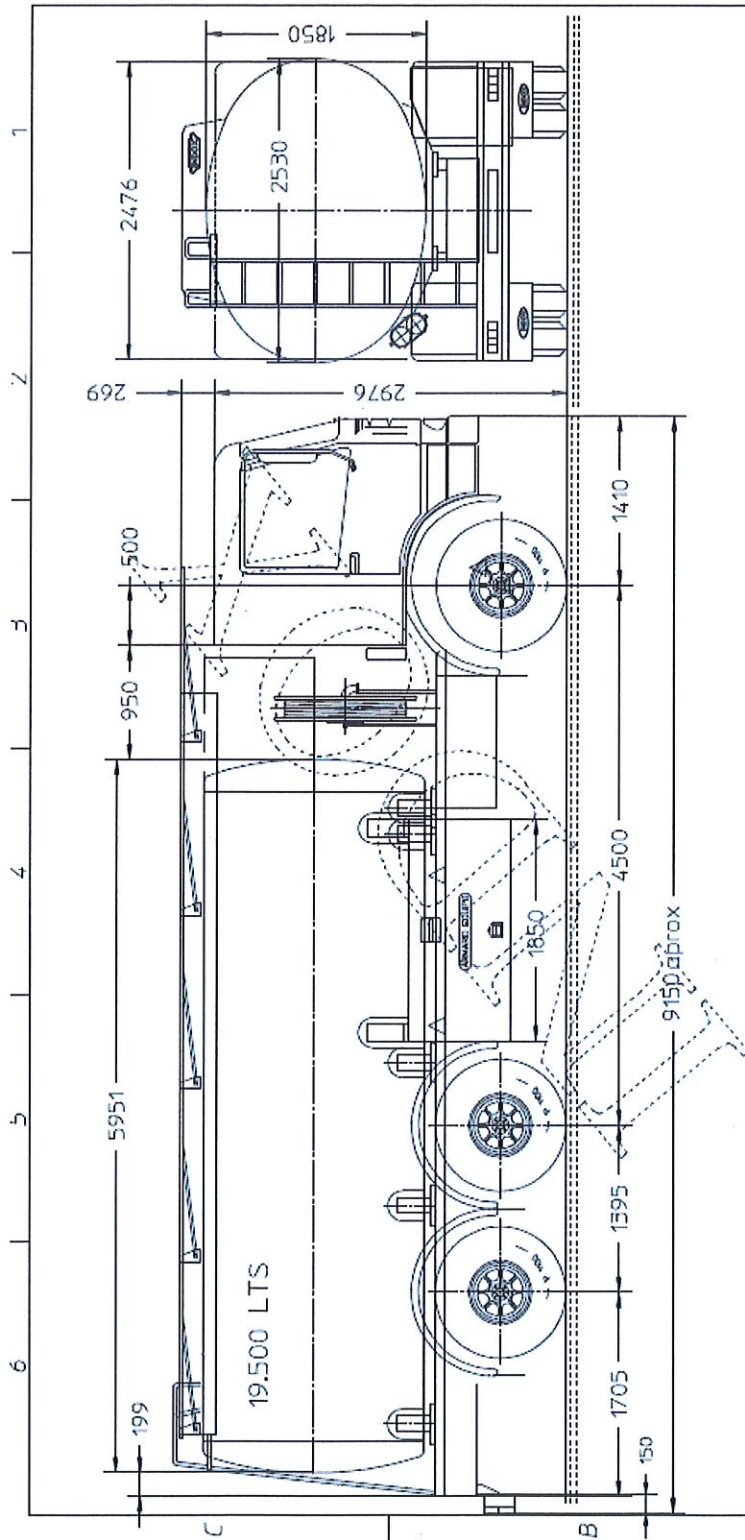


Offer: 230302204

Date: 22/06/2023

Page 6 of 9

8. General Drawing



LA OFICINA TECNICA DE INDOX SE RESERVA EL DERECHO DE MODIFICAR LA POSICION O DISEÑO DE LOS ACCESORIOS MONTADOS EN EL VEHICULO SIN PREVIO AVISO. MEDIDAS APROXIMADAS. DATOS GENERICOS.

PLANO APTO UNICAMENTE PARA USO COMERCIAL

CONFORME SR. CLIENTE:



LA INFORMACIÓN CONTENIDA EN ESTE PLANO ES DE LA PROPIEDAD DE:
 INDOX ENERGY SYSTEMS, S.L.
 NO ESTA PERMITIDO REALIZAR COPIAS O DIVULGAR A NINGUNA TERCERA PARTE SIN EL PERMISO ESCRITO DE :
 INDOX ENERGY SYSTEMS, S.L

F do:

Descripción de la modificación		Fecha Ejecutada	Nombre Aprobado
TOLERANCIAS DIMENSIONALS SEGONS NORMA DIN 7168			
Nº Redacción	CE-ESTUDIO -T	Fecha Nº plazos	Materiai
Dibujado	escaudo	2023/03/20	ALUMINI
Comprobado			
ESCALA	TRITON: -----		
150	MECO.AS250S42Y/PSO/E/EJ. 4500/1995 CLH CIS.19500L16,5/6,5/6,5; ECU7004RADIAL SITUACION EP185		
		123010SIT - 1	No
		Substitue	8





9. Economical offer

9.1. Price Proposal

Item	Quantity	Unit Price	Total Price
Mounted Tank for Fuel 19,5m ³ 3C	5	86. 0 0 0 , 0 0	430. 0 0 0 , 0

OPTIONAL:

1.- MID approval of the finished equipment, including supervision by NoBo and meter calibration, considering that the five equipment will be reviewed with a maximum of TWO business days, the cost will be around 17.300 – 17.5 for the five units.

In case of having to carry out the inspection in two different periods, it will be recalculated including the extra costs of travel and stay.

The final travel costs by the supplier will be specified as soon as the final dates are specified.

2.- BBM (Body Builder Module): In reference to this remote function control that you have included in the trucks, you will have all the help from us. I understand that once the trucks are confirmed, you will provide us with a contact from Iveco Spain and we will coordinate with them the necessary programming. If this intervention has any cost, we will inform you of it in advance and if it does not have a cost, too.

9.2. Payment conditions

- 15% advanced payment at order confirmation by bank transfer
- 50% payment before delivery by bank transfer
- 35% at 30 days after delivery materials by bank transfer without bank warranty (if your customer pay faster, you'll pay faster and if your customer p

Bank details:

Account number: BANCO SANTANDER SCH
CCC: 0049 1878 92 2010327747
IBAN: ES65 0049 1878 92 2010327747

9.3. Delivery terms

The delivery time of the equipment is **32 weeks(*)**. Expected delivery time will be confirmed at time of order placed, after received the down payment and according manufacturing working load. Note that August and December are not considered as working days.

In any case, we are at your disposal to contrast needs and possible equipment that we have in line manufacturing.

Transport not included carried out by the customer. Goods are delivered ExWorks Fonolleres, Spain (Incoterms 2020).

(*) The chassis is required at INDOX facilities as latest 60 working days before the expected delivery date.

In order to be able to schedule and advance manufacturing as much as possible, it is very important that you inform us of IVECO's forecast delivery of the trucks and that you provide us with the contact to be able to coordinate the shipments with them.



Offer: 230302204

Date: 22/06/2023

Page 8 of 9

9.4. Offer Validity

This offer is valid for 10 natural days months from the document date.

9.5. Warranty.

12 months warranty by our standards (see Warranty conditions)

INDOX Energy Systems

Jordi Segura Morancho
Sales Director Europe
Indox Energy Systems, SL

Customer:

Ionut Andrei Paval
SC EUROSPEED SRL



WARRANTY CONDITIONS

1-Warranty Period:

- 1.1.- The warranty period of INDOX ENERGY SYSTEMS equipment, hereinafter referred to as INDOX, is twelve (12) months from the date on our delivery note to the first buyer. Except for written terms agreed on the body of the contract.
- 1.2.- The interventions under warranty do not have in any case the effect of extending the agreed guarantee period

2.- Scope of warranty:

- 2.1.- This warranty covers only equipment manufactured by INDOX, covering labor and boiler materials. Equipment from suppliers outside INDOX is excluded, which shall be subject to the warranty criteria and conditions of the manufacturer of said material (example: axles, pumps, valves, etc.). Any shipment of material to be made in guarantee, will be made under FCA conditions according to INCOTERMS 2020.
- 2.2.- The warranty of the parts not manufactured by INDOX applies exclusively to parts that have been recognized as defective by the technical service of the supplier itself, after taking into account all the circumstances that occur in the breakdown. The application of the warranty shall consist of the delivery of new parts for replacement of defective parts or repair of defective parts, in the opinion of the technical service of the supplier itself. The costs of replacement and/or repair arising from the scope of the guarantee are excluded from the scope of the guarantee. To be accepted the guarantee, the customer undertakes to return at his expense the damaged or defective material, within 10 days of receipt of the new part, for further analysis with the supplier, otherwise such material will be billed to him.
- 2.3.- This warranty is based solely on the first owner of the unit and may not be transferred without the written consent of INDOX.

3.- Exclusions:

- 3.1.- INDOX assumes no responsibility for any damages that may arise from the defects of part or construction of the equipment, even in cases where an accident occurs, limiting itself only to the express application of the conditions of Warranty. In no case will charges or liability be accepted for direct or indirect damages to third parties, consequential losses, loss of profit or interruption of work, as well as in cases considered as force majeure.
- 3.2.- Interventions as a result of wear and tear due to use, general revisions and checks, adjustments, accidents, overturns, vaporization of the cistern and inertized, staff movements, transfers to workshop, the consequences of immobilizing the vehicle.
- 3.3.- In case the repair has to be carried out outside our workshops, the costs of travel of our staff, accommodation and diets will be borne by the customer.
- 3.4.- Any damage caused by lack of cleaning, both internal and external, as well as that resulting from misuse or negligent use of equipment under conditions other than those specified during the sale, is excluded from the scope of the guarantee.
- 3.5.- During the warranty period, the customer is obliged to carry out at their cost, the maintenance operations detailed in the manuals of each equipment, in an authorized workshop or official service of the previously recognized area INDOX reserves the right to decline the equipment's assurance in the face of the detection of a lack of maintenance of the equipment and its constituent parts.

4.- Cessation of warranty:

The warranty shall be deemed terminated and void automatically and in its entirety where:

- The buyer-user has not made the payments in the terms set out in their purchase order or contract sale.
- The buyer-user uses the equipment for a service other than that provided by the same.
- The buyer-user does not follow the instructions for use, cleaning, greasing and maintenance specified for each equipment, i.e. making improper use of it.
- The buyer-user performs actions on the equipment or modifications without the express authorization of INDOX.
- The buyer-user does not return the defective or faulty material to INDOX.

5.-Application and processing of the guarantee:

- 5.1.- Any defect involving the execution of the warranty must be brought to the attention of INDOX.
- 5.2.- In order to request any warranty intervention, the equipment must necessarily be attended either in the INDOX factory or by a technician of its technical assistance service or by an authorized workshop or official service of the recognized area. The request will be made by the client always in writing (fax, e-mail, mail), sending the guarantee request form, duly supplemented, in which photographs and reports would be attached if any. Only in cases of urgency can it be carried out by telephone, and must be ratified subsequently by one of the means indicated above within 24 hours.